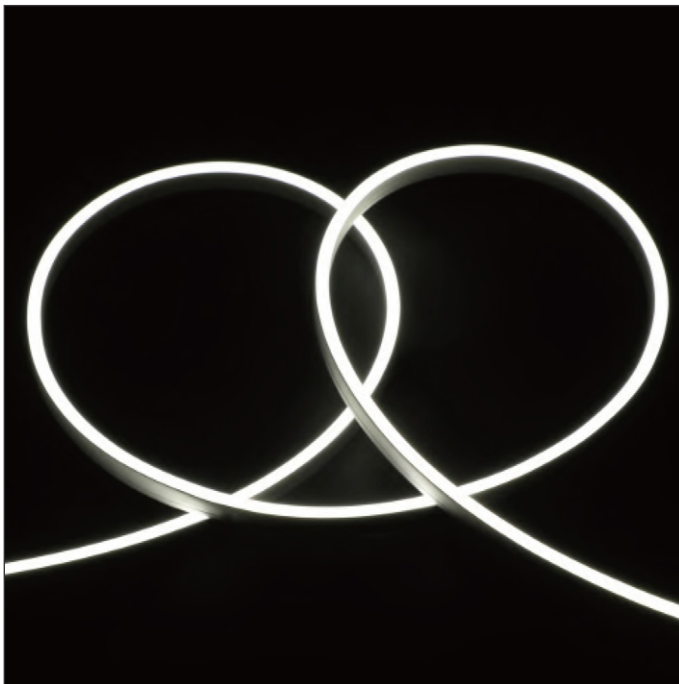


NANO-LINE S



A Super Flexible, 3mm LED Luminaire in a
Choice of Static White CCTs With or Without Wings
3mm x 6mm | Side Bending | Indoor Use



Remote Driver

Features & Benefits

Wide Range of CCT Selections

Static White CCTs of 2700K, 3000K, 3500K, 4000K, 5000K & 6000K options are available at CRI 90 as standard.

Resin Encapsulation Technology

Luminaire contained in a flexible encapsulant to ensure environmental robustness and longevity.

Two Finish Options

Available with or without wings for a flush or bevelled finish.

Linear Homogeneous Output

Diffused opal finish for homogeneous appearance.

Choose Your Length

Standard length of 5m may be freely cut to length required on site and resealed with a heat-shrink end cap.

Compliance

UKCA, CE, UL, IP54

5-Year Warranty

Standard 5-year warranty, L70 (Static White) @ >50,000 hours.



LIGHT OUTPUT INFORMATION

Efficacy (lm/W)

		Static White					
Fixture Type	Power Output	2700K	3000K	3500K	4000K	5000K	6000K
Nano-Line S	9 W/m	31	32	33	34	33.5	33.5

Luminaire Lumen Output (lm/m)

		Static White					
Fixture Type	Power Output	2700K	3000K	3500K	4000K	5000K	6000K
Nano-Line S	9 W/m	279	260	301	310	304	304

The above output values are specified at CRI 90 as standard.


If the data that you require is missing, please contact your Vexica representative.

Vexica run regular development cycles, continuously optimising and balancing product specifications to best suit our customers. All information therefore, is intended as a guide and specifications may change on occasion without notice or announcement. Technical data is measured under controlled conditions, expected performance is within +/- 10% of advertised figures. Luminaire output stated is actual value from the luminaire itself. Information provided above is intended as a description of the product and shall not be used in the form of any contract.

ELECTRICAL INFORMATION

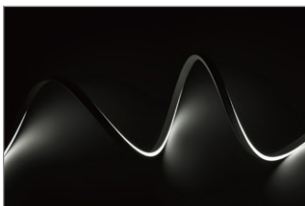
Power Options	9W/m
Input Voltage	24 VDC (23.5V Min, 24.5V Max)
Dimmable	Yes
Connection Type	1 x 300mm Flying Lead Per Reel
Cable Entry	End
LED Binning	3 SDCM (White Only)
Maximum Chain Length	5.0m

PHYSICAL & ENVIRONMENTAL INFORMATION

Housing Colour	 White
Finish	Flexible White Silicone
Bend Direction	Side Bending
Ambient Operating Temperature	-20°C to +50°C
Ambient Storage Temperature	-20°C to +60°C
IP Rating	IP54
IK Rating	IK06
Weight	0.024 kg/m

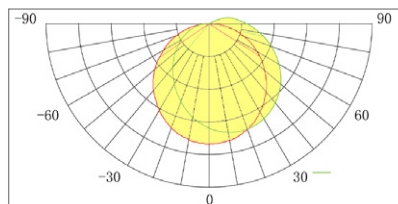
LED CCT/COLOUR OPTIONS

STATIC WHITE
2700K, 3000K, 3500K,
4000K, 5000K, 6000K



BEAMSHAPE

DIFFUSE
S



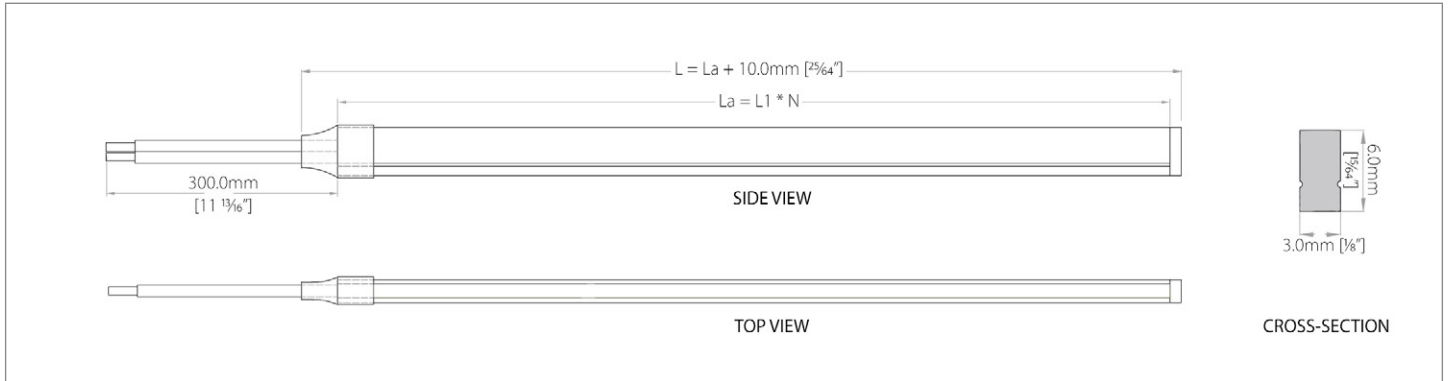
LENGTH (L) OPTIONS

Product	LED Colour	Input Voltage (VDC)	Power Rating (W/m)	Standard Reel Length (mm)	On-Site Cutting
Nano-Line S Nano-Line-S-W	Static White	24	9	5000	Nano-Line S can be freely cut on-site to the specific lengths required. Each reel is supplied with an input power tail only. To make use of cut sections, additional tails should be purchased.

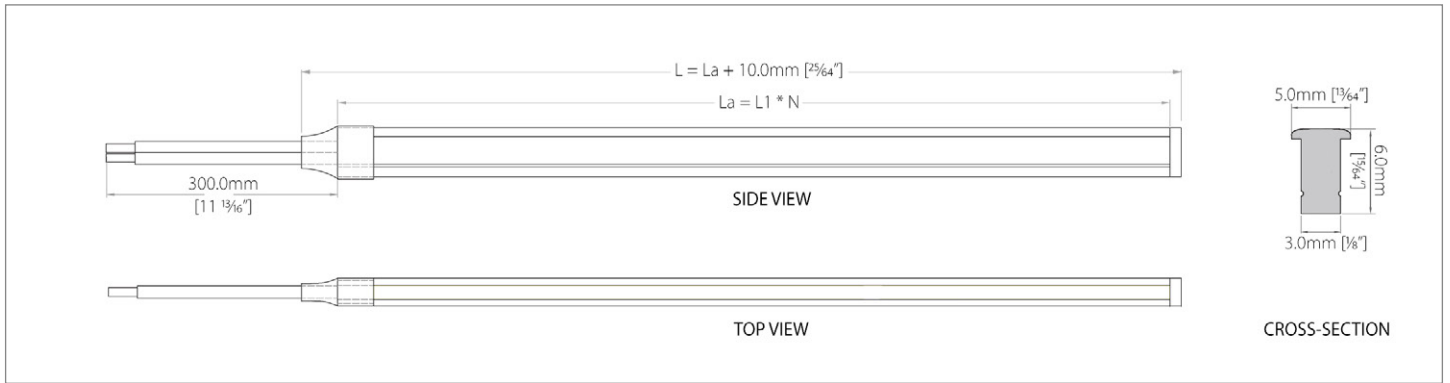
PRODUCT DIMENSIONS

Nano-Line S (Without Wings)

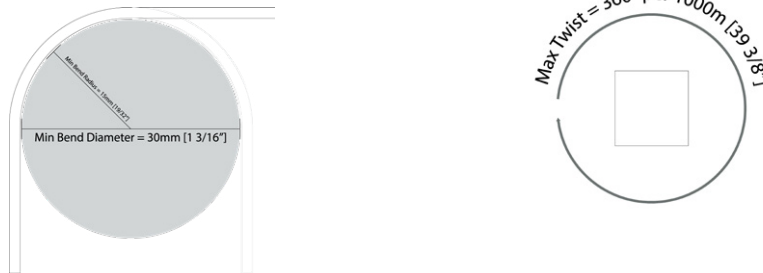
L = Total Length
 Lb = Length of Illuminated Surface
 La = Length of LED Strip
 N = Integer



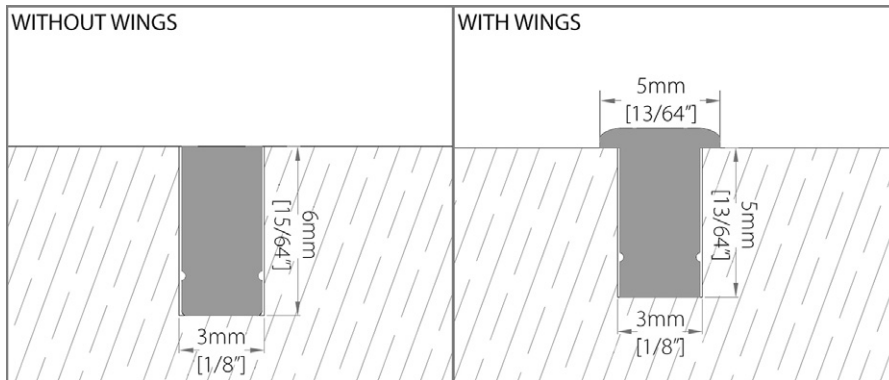
Nano-Line SW (With Wings)



Maximum Bend Information



MOUNTING OPTIONS



FIXTURE ORDERING

Project Name

1) FIXTURE & OUTPUT TYPE

PRODUCT	PROFILE	CCT/LED Colour	
VEX-NANO-LINE-S			
Nano-Line S is a Super Flexible 3mm, Interior-Grade Silicone, Linear LED Luminaire with Side-Bending Capability	- W	Without Wings (Flush) With Wings (Bevelled)	2700K Static White (2700K) 3000K Static White (3000K) 3500K Static White (3500K) 4000K Static White (4000K) 5000K Static White (5000K) 6000K Static White (6000K)

2) LUMINAIRE LENGTH

LENGTH

5000mm

5000mm

5000mm Standard Reel Length

3) FIXTURE POWER, IP RATING, BEAM PATTERN & END TYPE

POWER OPTION	IP RATING	BEAM PATTERN	END TYPE
9W	IP54	DIF	BARE-REEL
9W 9W/m	IP54 Damp & Dust Proof Suitable for outdoor use	DIF Diffuse Homogeneous	BARE-REEL Open Ends, No Cables (Requires Further Endcap Accessories - See P6)

PRODUCT CODE:

EXAMPLE: VEX - NANO - LINE - S - W - 2700K - 5000mm - 9W - IP54 - DIF - BARE - REEL

END CAP ACCESSORIES (For On-Site End Preparation)

To ensure correct operation and maintain IP rating, bare reel or site-cut luminaires must be terminated using one of the end cap kits below.

Kits must be applied following the procedure in the Nano-Line S installation guide. Failure to do so may result in incorrect operation and will void any warranty.

If you require guidance, please contact your Vexica representative who will be happy to assist.

ACCESSORY RANGE		CONNECTION TYPE	
VEX-NANO-LINE-S-ACCESSORY	Accessory for Nano-Line S	HEATSHRINK-CABLE-SET-300mm-TAILS	End Cap Kit with 300mm Tails & Glue
VEX-NANO-LINE-S-W-ACCESSORY	Accessory for Nano-Line SW	HEATSHRINK-CABLE-SET-300mm-TAILS-INPUT-ONLY	End Cap Kit with 300mm Tails & Glue (Includes Blanking End Cap)

CABLE WAYS		FEED TYPE	
2-WAY		EF	
2-WAY	Static White (2-Way Cable)	EF	End Feed

ACCESSORY CODE:

EXAMPLE: VEX - NANO - LINE - S - W - ACCESSORY - HEATSHRINK - CABLE - SET - 300mm - TAILS - INPUT - ONLY - 2 - WAY - EF

STANDARDS & CERTIFICATIONS

Compliance

Standard Marks



Environmental Suitability

Sustainability

Responsibly sourced and manufactured.

Recyclable

Not Recyclable

Reliability

Manufacturing

All Vexica products are manufactured in our UK-based factory using components sourced from internationally recognised 'tier 1' suppliers

Quality Assurance

Each product is designed and manufactured for reliability and each batch undergoes through quality assurance testing

Warranty & Terms

[Terms & Conditions](#)

[Warranty Registration](#)

For details on our warranty and business terms, please click or scan the QR Code.

Notes

