

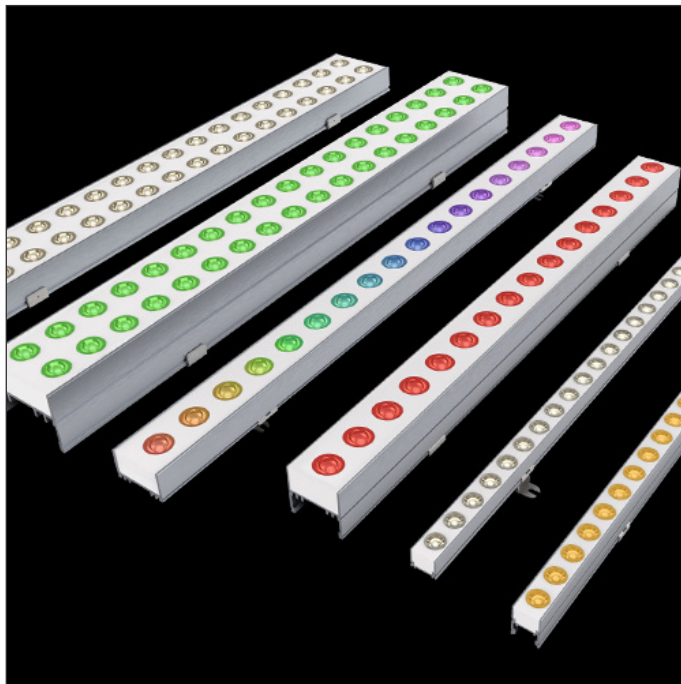
LUMAERA TIR



Resin Encapsulated Linear LED Luminaires with TIR Grazing Optics in a Choice of Static and Dynamic Colour Options
 19mm, 44mm & 77mm Widths | Outdoor & Indoor Use



LUMAERA-19-TIR-2700K, The Peninsula Hotel - London, W1, UK



Remote Driver

Features & Benefits

Continuous Linear Light

Flush and 'H' profile options allow for side or bottom entry cable management, and end-to-end mounting for a continuous linear effect.

Wide Range of LED Selections

Static White, RGB, RGB Dynamic & RGBW options are available at CRI 80, 90 & 95 CRI. For availability per model, please see the relevant section of this guide.

Resin Encapsulation Technology

Luminaires encapsulated in polyurethane resin to ensure environmental robustness and longevity.

TIR Grazing Optics

A selection of beam angles are available.

Choose Your Length

Available in a wide range of lengths (105mm - 1605mm) and up to 9.6m of lumination from one driver.

Customisable

Speak to your Vexica representative about any specific requests you have for your project.

Compliance

UKCA, CE, IP67

5-Year Warranty

Standard 5-year warranty, L90 (Static White) @ ~50,000 hours.



LIGHT OUTPUT INFORMATION

Efficacy (lm/W)

Fixture Type	Power Output	Static White					Max (White)	RGB ¹			RGBW ²			
		2200K	2700K	3000K	3500K	4000K		Red	Green	Blue	Red	Green	Blue	3000K
Lumaera 19	6 W/m	116	119	119	119	126	-	-	-	-	-	-	-	-
	10 W/m	116	119	119	119	126	-	-	-	-	-	-	-	-
	15 W/m	116	119	119	119	126	-	-	-	-	-	-	-	-
Lumaera 44	24 W/m	101	103	105	105	111	TBC	TBC	TBC	TBC	TBC	TBC	TBC	TBC
Lumaera 77	50 W/m	101	103	105	105	111	TBC	TBC	TBC	TBC	TBC	TBC	TBC	TBC

Nominal Lumen Output (lm/m)

Fixture Type	Power Output	Static White					Max (White)	RGB ¹			RGBW ²			
		2200K	2700K	3000K	3500K	4000K		Red	Green	Blue	Red	Green	Blue	3000K
Lumaera 19	6 W/m	696	714	714	714	756	-	-	-	-	-	-	-	-
	10 W/m	1160	1190	1190	1190	1260	-	-	-	-	-	-	-	-
	15 W/m	1740	1785	1785	1785	1890	-	-	-	-	-	-	-	-
Lumaera 44	24 W/m	2424	2472	2520	2520	2664	TBC	TBC	TBC	TBC	TBC	TBC	TBC	TBC
Lumaera 77	50 W/m	5050	5150	5250	5250	5550	TBC	TBC	TBC	TBC	TBC	TBC	TBC	TBC

The values above are specified at CRI = 80

For CRI = 90 reduce by 10%; for CRI = 95 reduce by 20%

If the data that you require is missing, please contact your Vexica representative

¹ RGB consists of 3 channels (Red, Green & Blue), each capable of outputting 5W/m. The 'Max (White)' value is taken when all channels are at 100% and the fixture is drawing the maximum total luminaire output of 15W/m.

² RGBW consists of 4 channels each capable of 25% of the maximum total luminaire power output.

Vexica run regular development cycles, continuously optimising and balancing product specifications to best suit our customers. All information therefore, is intended as a guide and specifications may change on occasion without notice or announcement. Technical data is measured under controlled conditions, expected performance is within +/- 10% of advertised figures. Information provided above is intended as a description of the product and shall not be used in the form of any contract.

ELECTRICAL INFORMATION

Power Options	6W/m, 10W/m, 15W/m (Lumaera 19 - Static White Only) 24W/m (Lumaera 44 - All Options) 50W/m (Lumaera 77 - All Options)
Input Voltage	24 VDC (23V Min, 25V Max)
Dimmable	Yes
Connection Type	JST JWPF IP67 (Lumaera 19), JST JWPS IP67 (Lumaera 44 & 77)
LED Binning	3 SDCM (White Only)
Maximum Chain Length	4.8m (Lumaera 19) - 6W/m Version can run to 9.6m 5.0m (Lumaera 44) 3.0m (Lumaera 77)

PHYSICAL & ENVIRONMENTAL INFORMATION

Housing Colour



Anodised Aluminium



Contact Us for
Special Projects

Finish

Extrusion Silver Anodised Aluminium

Resin Opal Polyurethane

Optics Clear Acrylic (PMMA)

Ambient Operating Temperature -10°C to +50°C

Ambient Storage Temperature -30°C to +85°C

IP Rating IP67

IK Rating IK05

Weight (per Linear Meter)

	Lumaera 19	Lumaera 44	Lumaera 77
Static White	0.45kg	1.03kg	1.81kg
Tunable & Dynamic	0.56kg	1.30kg	2.27kg

LED CCT/COLOUR OPTIONS

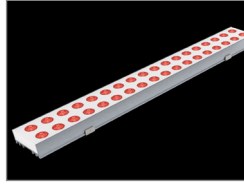
STATIC WHITE

2200K, 2700K, 3000K, 3500K, 4000K



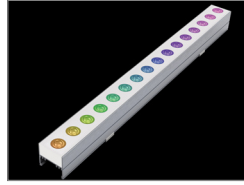
TUNABLE COLOUR^a

RGB LED Colour Mixing
(Lumaera 44 & 77 Only)



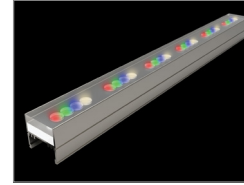
DYNAMIC COLOUR^b

RGB LED Dynamic Pixels
(Lumaera 44 & 77 Only)



TUNABLE COLOUR + 3000K^c

RGBW LED Colour Mixing
(Lumaera 44 & 77 Only)

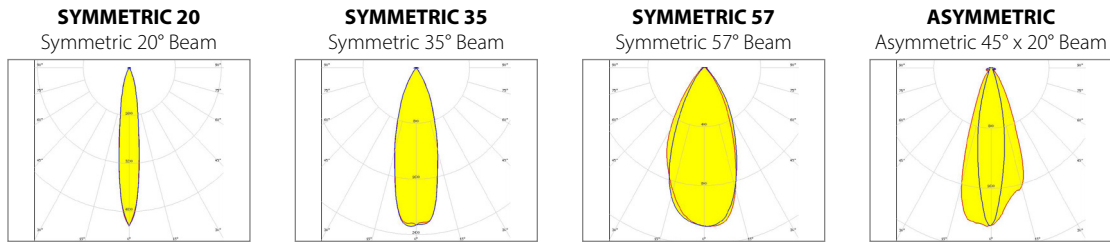


LENGTH (L) OPTIONS

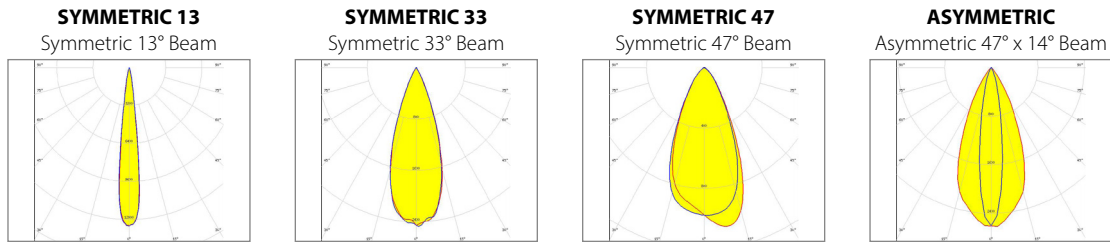
Product	Optic	Minimum Length (mm)	Maximum Length (mm)	Length Increments (mm)	Length Options (mm)
Lumaera 19	TIR Optic	130	1505	125	130, 255, 380, 505, 630, 755, 880, 1005, 1130, 1255, 1380, 1505
Lumaera 44 (Not RGBW)	TIR Optic	205	1605	200	205, 405, 605, 805, 1005, 1205, 1405, 1605
Lumaera 44 (RGBW Only)	TIR Optic	505	1505	500	505, 1005, 1505
Lumaera 77	TIR Optic	305	1505	300	305, 605, 905, 1205, 1505

BEAM SHAPE SELECTION

Lumaera 19 (+ Lumaera 44 RGBW Only)



Lumaera 44 (Not RGBW) & Lumaera 77



MOUNTING OPTIONS

Lumaera 19

ADJUSTABLE BRACKET Adjustable Angle, Rear Attachment
FLUSH CLIP Fixed Angle, Rear Attachment



ORDER CODE: 018708

ORDER CODE: 008189

Lumaera 44

ADJUSTABLE BRACKET Adjustable Angle, Rear Attachment
FLUSH CLIP Fixed Angle, Rear Attachment



ORDER CODE: 018708

ORDER CODE: 008984

Lumaera 77

ADJUSTABLE BRACKET Adjustable Angle, Rear Attachment
FLUSH CLIP Fixed Angle, Rear Attachment



ORDER CODE: 018814

ORDER CODE: 010831

^aEach colour channel represents 1/3 of the maximum luminaire power output. When all channels are at 100% the luminaire maximum output will be achieved.

^bMust be used in conjunction with a Vexica HybridDrive6 driver and PSU. Max cable length from driver to first fitting is 1m, any extensions will require additional equipment. Contact your Vexica rep for details.

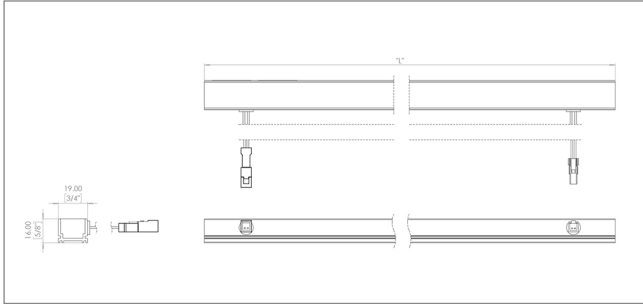
^cRGBW control is split across 4 channels, with each capable of 25% of the luminaire maximum power rating. When all 4 channels are at 100% the luminaire maximum output will be achieved.

PRODUCT DIMENSIONS

Lumaera 19

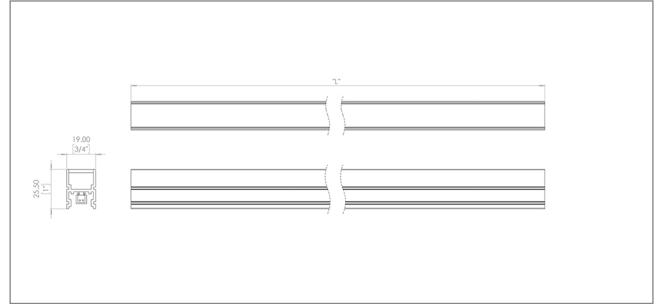
Flat Profile

Side Cable Entry



'H' Profile

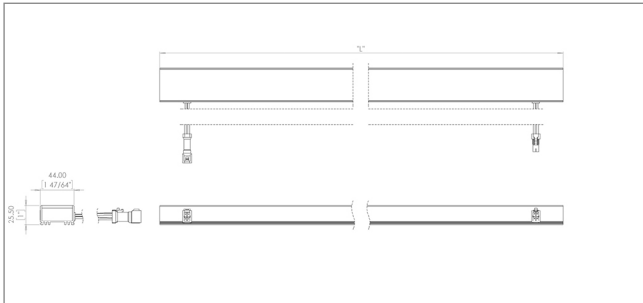
Rear Cable Entry



Lumaera 44

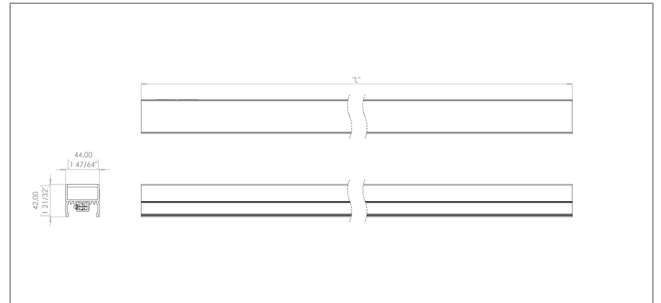
Flat Profile

Side Cable Entry



'H' Profile

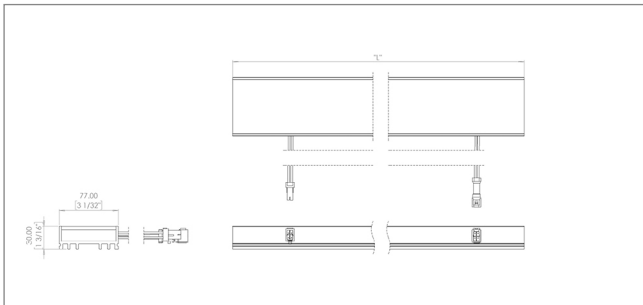
Rear Cable Entry



Lumaera 77

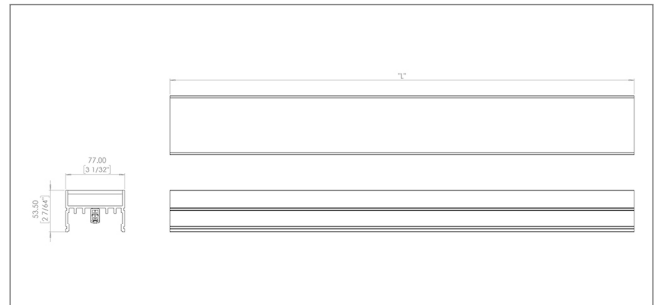
Flat Profile

Side Cable Entry



'H' Profile

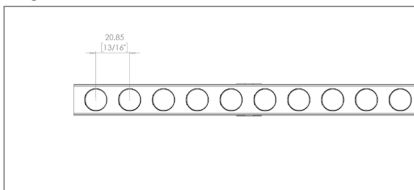
Rear Cable Entry



OPTIC SPACING

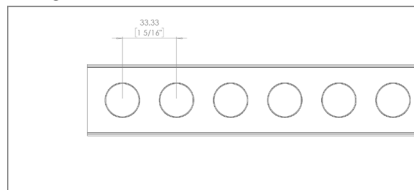
Lumaera 19

Single Row Centred



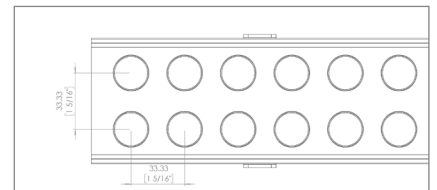
Lumaera 44

Single Row Centred



Lumaera 77

Double Row Centred



PRODUCT CODE GENERATOR

Project Name

1) FIXTURE & OUTPUT TYPE

PRODUCT	WIDTH		PROFILE		CCT/LED Colour	
VEX-LUMAERA						
Lumaera Linear LED Exterior Luminaire.	19	19mm	-	Flat Profile (Side Cable Entry)	2200K	2200K
	44	44mm			2700K	2700K
	77	77mm	H	H Profile (Rear Cable Entry)	3000K	3000K
					3500K	3500K
					4000K	4000K
					RGB	RGB [Lumaera 44 & 77 Only]
					RGB-DYN	RGB Dynamic [Lumaera 44 & 77 Only]
					RGBW	Tunable RGBW (3000K) [Lumaera 44 & 77 Only]

2) LUMINAIRE LENGTH (Select For Chosen Width & Optic)

LENGTH

	LUMAERA 19		LUMAERA 44 (Not RGBW)		LUMAERA 44 (RGBW)		LUMAERA 77
130	130mm	205	205mm	505	505mm	305	305mm
255	255mm	405	405mm	1005	1005mm	605	605mm
380	380mm	605	605mm	1505	1505mm	905	905mm
505	505mm	805	805mm			1205	1205mm
630	630mm	1005	1005mm			1505	1505mm
755	755mm	1205	1205mm				
880	880mm	1405	1405mm				
1005	1005mm	1605	1605mm				
1130	1130mm						
1255	1255mm						
1380	1380mm						
1505	1505mm						

3) FIXTURE POWER & IP RATING

POWER OPTION

IP RATING

	IP67
--	-------------

6W	6W/m (Lumaera 19 - Static White Only)	IP67	Water & Dust Proof
10W	10W/m (Lumaera 19 - Static White Only)		Suitable for outdoor use
15W	15W/m (Lumaera 19 - Static White Only)		
24W	24W/m (Lumaera 44 - All Options)		
50W	50W/m (Lumaera 77 - All Options)		

4) BEAM ANGLE (Select for chosen width)

BEAM ANGLE

LUMAERA 19 (+LUMAERA 44 RGBW ONLY)		LUMAERA 44 (NOT RGBW) & LUMAERA 77	
20	Symmetric 20°	13	Symmetric 13°
35	Symmetric 35°	33	Symmetric 33°
57	Symmetric 57°	47	Symmetric 47°
45x20	Asymmetric 45° x 20°	47x14	Asymmetric 47° x 14

PRODUCT CODE:

EXAMPLE: VEX - LUMAERA - 19 - H - TIR - 2200K - 1005 - 15W - IP67 - 45x20

STANDARDS & CERTIFICATIONS

Compliance

Standard Marks



Environmental Suitability

Sustainability

Responsibly manufactured from materials that are free from 'Red List' chemicals

Recyclable

Partially recyclable. Optics and anodized parts are fully recyclable at end of life.

Reliability

Manufacturing

All Vexica products are manufactured in our UK-based factory using components sourced from internationally recognised 'tier 1' suppliers

Quality Assurance

Each product is designed and manufactured for reliability and each batch undergoes thorough quality assurance testing

Warranty & Terms

[Terms & Conditions](#)

[Warranty Registration](#)

For details on our warranty and business terms, please click or scan the QR Code.

Notes

