

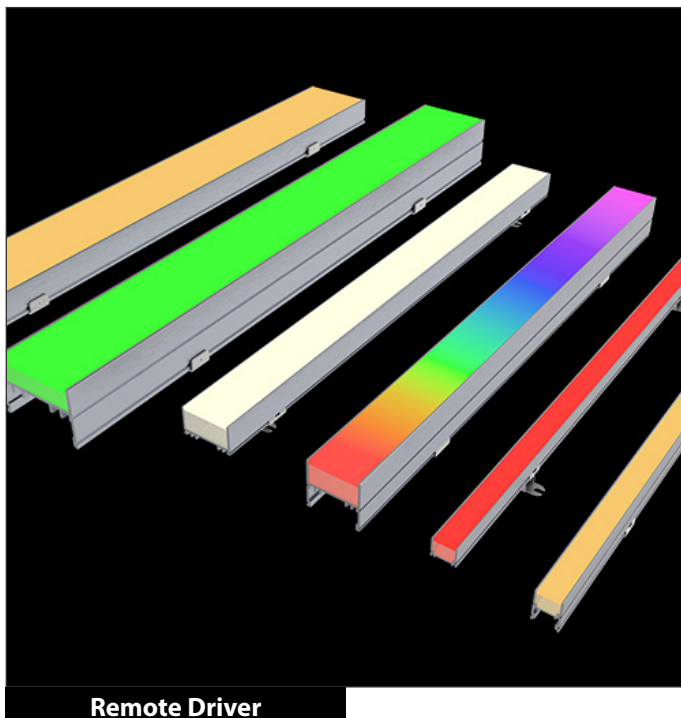
LUMAERA Diffuse



Resin Encapsulated Linear LED Luminaires with a Diffused Opal Finish in a Choice of Static and Dynamic Colour Options
19mm, 44mm & 77mm Widths | Outdoor & Indoor Use



LUMAERA-19-3000K, The Peninsula Hotel - London, W1, UK



Remote Driver



Features & Benefits

Continuous Linear Light

Flush and 'H' profile options allow for side or bottom entry cable management, and end-to-end mounting for a continuous linear effect.

Wide Range of LED Selections

Static White, Tunable White, RGB, RGB Dynamic & RGBW options are available at CRI 80, 90 & 95 CRI. For availability per model, please see the relevant section of this guide.

Resin Encapsulation Technology

Luminaires encapsulated in polyurethane resin to ensure environmental robustness and longevity.

Linear Homogenous Output

Diffused opal finish for homogenous appearance.

Choose Your Length

Available in a wide range of lengths (105mm - 1505mm) with one driver powering up to 9.6m (6W/m only).

Customisable

Speak to your Vexica representative about any specific requests you have for your project.

Compliance

UKCA, CE, IP67

5-Year Warranty

Standard 5-year warranty, L90 (Static White) @ ~50,000 hours.

LIGHT OUTPUT INFORMATION

Efficacy (lm/W)

Fixture Type	Power Output	Static White				Tunable White ¹				RGB ²			RGBW ³			
		2700K	3000K	3500K	4000K	2700K	5000K	Mid-Point	Max (White)	Red	Green	Blue	Red	Green	Blue	3000K
Lumaera 19	6 W/m	52	55	55	57	-	-	-	-	-	-	-	-	-	-	-
	10 W/m	52	55	55	57	-	-	-	-	-	-	-	-	-	-	-
	15 W/m	52	55	55	57	52	57	55	22	12	35	7	-	-	-	-
Lumaera 44	24 W/m	57	59	59	62	57	62	59	30	32	58	12	32	58	12	59
Lumaera 77	50 W/m	61	63	63	65	61	65	63	36	32	58	12	32	58	12	63

Nominal Lumen Output (lm/m)

Fixture Type	Power Output	Static White				Tunable White ¹				RGB ²			RGBW ³			
		2700K	3000K	3500K	4000K	2700K	5000K	Max	Max (White)	Red	Green	Blue	Red	Green	Blue	3000K
Lumaera 19	6 W/m	312	330	330	342	-	-	-	-	-	-	-	-	-	-	-
	10 W/m	520	550	550	570	-	-	-	-	-	-	-	-	-	-	-
	15 W/m	780	825	825	855	390	428	825	330	60	175	35	-	-	-	-
Lumaera 44	24 W/m	1368	1416	1416	1488	684	744	1416	720	256	464	96	192	348	72	354
Lumaera 77	50 W/m	3050	3150	3150	3250	1525	1625	3150	1800	533	967	200	400	725	150	788

The values above are specified at CRI = 80

For CRI = 90 reduce by 10%; for CRI = 95 reduce by 20%

If the data that you require is missing, please contact your Vexica representative

¹ Tunable White consists of 2 channels each rated at 7.5W/m. Lumen values for 2700K & 5000K are taken with the respective channel at 100%. The 'Max' value is taken with both channels at 100% and the combined total output being 15W/m.

² RGB consists of 3 channels (Red, Green & Blue), each capable of outputting 5W/m. The 'Max (White)' value is taken when all channels are at 100% and the fixture is drawing the maximum total luminaire output of 15W/m.

³ RGBW consists of 4 channels each capable of 25% of the maximum total luminaire power output.

Vexica run regular development cycles, continuously optimising and balancing product specifications to best suit our customers. All information therefore, is intended as a guide and specifications may change on occasion without notice or announcement. Technical data is measured under controlled conditions, expected performance is within +/- 10% of advertised figures. Information provided above is intended as a description of the product and shall not be used in the form of any contract.

ELECTRICAL INFORMATION

Power Options	6W/m, 10W/m (Lumaera 19 - Static White Only) 15W/m (Lumaera 19 - All Options) 24W/m (Lumaera 44 - All Options) 50W/m (Lumaera 77 - All Options)
Input Voltage	24 VDC (23V Min, 25V Max)
Dimmable	Yes
Connection Type	JST JWPF IP67 (Lumaera 19), JST JWPS IP67 (Lumaera 44 & 77)
LED Binning	3 SDCM (White Only)
Maximum Chain Length	4.8m (Lumaera 19) - 6W/m Version can run to 9.6m 5.0m (Lumaera 44) 3.0m (Lumaera 77)

PHYSICAL & ENVIRONMENTAL INFORMATION

Housing Colour



Anodised Aluminium



Contact Us for
Special Projects

Finish

Extrusion Silver Anodised Aluminium

Resin Opal Polyurethane

Ambient Operating Temperature

-10°C to +50°C

Ambient Storage Temperature

-30°C to +85°C

IP Rating

IP67

IK Rating

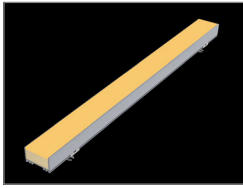
IK05

Weight (per Linear Meter)

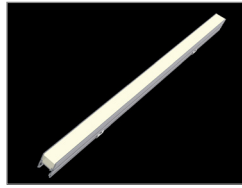
	Lumaera 19	Lumaera 44	Lumaera 77
Static White	0.45kg	1.03kg	1.81kg
Tunable & Dynamic	0.56kg	1.30kg	2.27kg

LED CCT/COLOUR OPTIONS

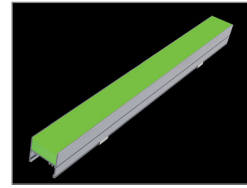
STATIC WHITE
2700K, 3000K, 3500K, 4000K



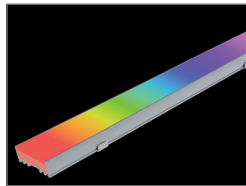
TUNABLE WHITE^a
2700K to 5000K



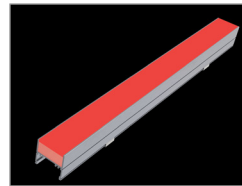
TUNABLE COLOUR^b
RGB LED Colour Mixing



DYNAMIC COLOUR^c
RGB LED Dynamic Pixels



TUNABLE COLOUR + 3000K^d
RGBW LED Colour Mixing
(Lumaera 44 & 77 Only)

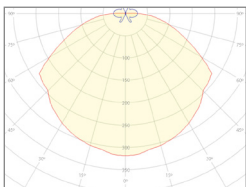


LENGTH (L) OPTIONS

Product	Minimum Length (mm)	Maximum Length (mm)	Length Increments (mm)	Length Options (mm)
Lumaera 19	105	1505	100	105, 205, 305, 405, 505, 605, 705, 805, 905, 1005, 1105, 1205, 1305, 1405, 1505
Lumaera 44	105	1505	100	105, 205, 305, 405, 505, 605, 705, 805, 905, 1005, 1105, 1205, 1305, 1405, 1505
Lumaera 77	305	1505	300	305, 605, 905, 1205, 1505

BEAMSHAPE

DIFFUSE
All Models



MOUNTING OPTIONS

Lumaera 19

ADJUSTABLE BRACKET Adjustable Angle, Rear Attachment
FLUSH CLIP Fixed Angle, Rear Attachment



ORDER CODE: 018704

ORDER CODE: 008189

Lumaera 44

ADJUSTABLE BRACKET Adjustable Angle, Rear Attachment
FLUSH CLIP Fixed Angle, Rear Attachment



ORDER CODE: 018708

ORDER CODE: 008984

Lumaera 77

ADJUSTABLE BRACKET Adjustable Angle, Rear Attachment
FLUSH CLIP Fixed Angle, Rear Attachment



ORDER CODE: 018814

ORDER CODE: 010831

^aTunable White consists of 2 channels each capable of 50% at the maximum luminaire power rating. When both channels are AT 100%, the maximum power output of the luminaire will be achieved.

^bEach colour channel represents 1/3 of the maximum luminaire power output. When all channels are at 100% the luminaire maximum output will be achieved.

^cMust be used in conjunction with a Vexica HybridDrive6 driver and PSU. Max cable length from driver to first fitting is 1m, any extensions will require additional equipment. Contact your Vexica rep for details.

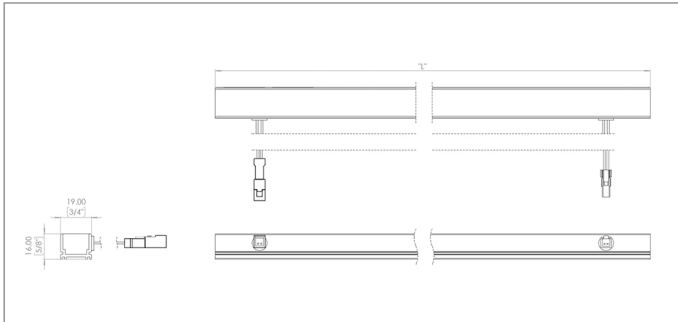
^dRGBW control is split across 4 channels, with each capable of 25% of the luminaire maximum power rating. When all 4 channels are at 100% the luminaire maximum output will be achieved.

PRODUCT DIMENSIONS

Lumaera 19

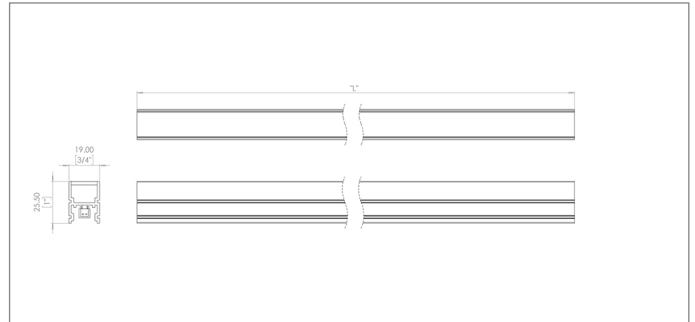
Flat Profile

Side Cable Entry



'H' Profile

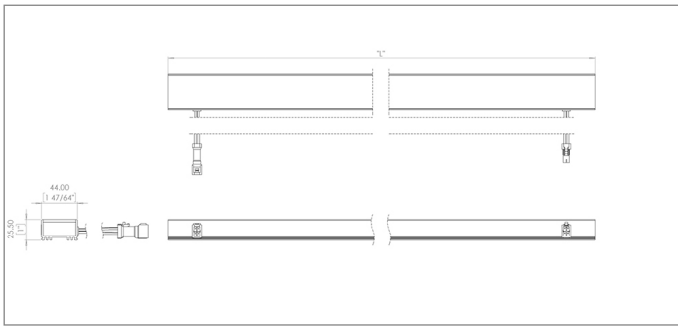
Rear Cable Entry



Lumaera 44

Flat Profile

Side Cable Entry



'H' Profile

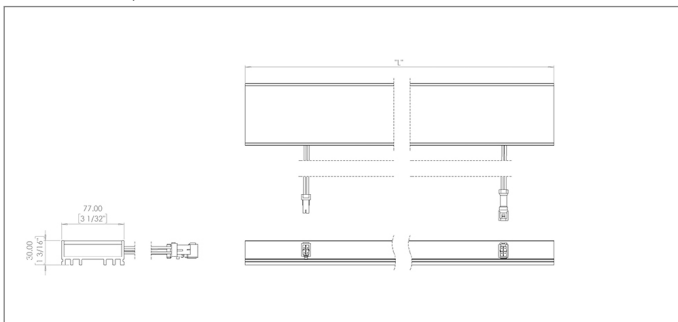
Rear Cable Entry



Lumaera 77

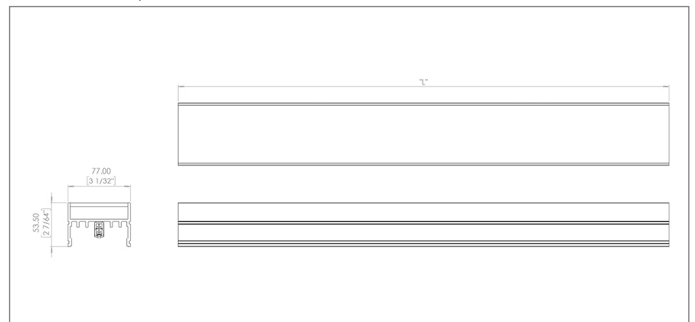
Flat Profile

Side Cable Entry



'H' Profile

Rear Cable Entry



PRODUCT CODE GENERATOR

Project Name

1) FIXTURE & OUTPUT TYPE

PRODUCT	WIDTH		PROFILE		CCT/LED Colour	
VEX-LUMAERA						
Lumaera Linear LED Exterior Luminaire.	19	19mm	-	Flat Profile (Side Cable Entry)	2700K	2700K
	44	44mm		H Profile	3000K	3000K
	77	77mm	H	H Profile (Rear Cable Entry)	3500K	3500K
					4000K	4000K
					TW	Tunable White (2700K to 5000K)
					RGB	RGB
					RGB-DYN	RGB Dynamic
					RGBW	Tunable RGBW (3000K) [Lumaera 44 & 77 Only]

2) LUMINAIRE LENGTH (Select For Chosen Width & Optic)

LENGTH

LUMAERA 19 & 44

105	105mm
205	204mm
305	305mm
405	405mm
505	505mm
605	605mm
705	705mm
805	805mm
905	905mm
1005	1005mm
1105	1105mm
1205	1205mm
1305	1305mm
1405	1405mm
1505	1505mm

LUMAERA 77

305	305mm
605	605mm
905	905mm
1205	1205mm
1505	1505mm

3) FIXTURE POWER & IP RATING

POWER OPTION		IP RATING		BEAM ANGLE	
		IP67		DIF	
6W	6W/m (Lumaera 19 - Static White Only)	IP67	Water & Dust Proof	DIF	Diffused Opal Finish with Homogenous Output
10W	10W/m (Lumaera 19 - Static White Only)		Suitable for outdoor use		
15W	15W/m (Lumaera 19 - All Options)				
24W	24W/m (Lumaera 44 - All Options)				
50W	50W/m (Lumaera 77 - All Options)				

PRODUCT CODE:

EXAMPLE: VEX - LUMAERA - 44 - H - 2700K - 1005 - 24W - IP67 - DIF

STANDARDS & CERTIFICATIONS

Compliance

Standard Marks



Environmental Suitability

Sustainability

Responsibly manufactured from materials that are free from 'Red List' chemicals

Recyclable

Partially recyclable. Anodized aluminium parts are fully recyclable at end of life.

Reliability

Manufacturing

All Vexica products are manufactured in our UK-based factory using components sourced from internationally recognised 'tier 1' suppliers

Quality Assurance

Each product is designed and manufactured for reliability and each batch undergoes thorough quality assurance testing

Warranty & Terms

[Terms & Conditions](#)

[Warranty Registration](#)

For details on our warranty and business terms, please click or scan the QR Code.

Notes