

LUMAERA MiniSQ Wall

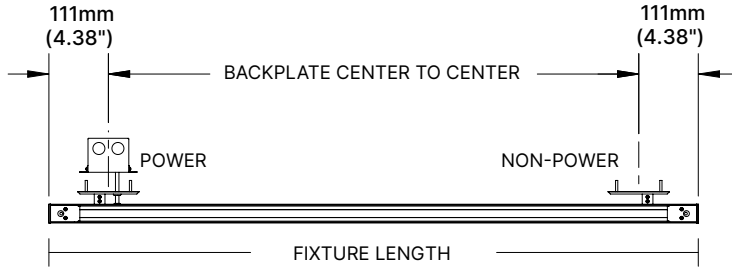
MNSQ24-W

Wall Mount

What to Know

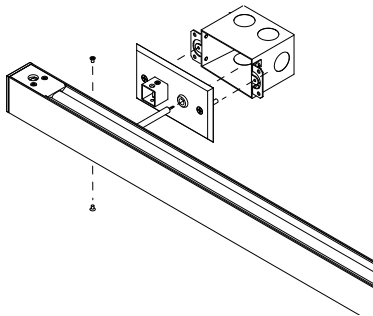
Risk of fire and electrical shock. Installation requires knowledge of electrical systems and should be installed by a qualified electrician. If not qualified, **DO NOT ATTEMPT INSTALLATION.**

- Backplates are not adjustable. Use rectangular single gang electrical boxes, installed horizontally. Hold the fixture up to the wall and check to make sure canopies and mounting hardware are properly spaced on the mounting surface for final installation.

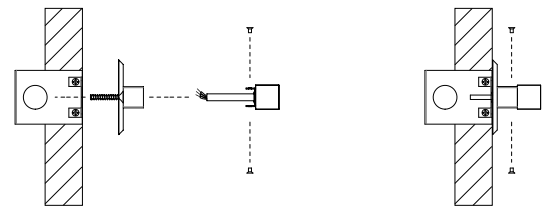


Wall Mount Canopy Location	
Fixture Length (Actual)	Backplate Center to Center
1220mm (48.00")	997mm (39.25")
1830mm (71.69")	1598.5mm (62.94")
2440mm (95.39")	2200.5mm (86.64")

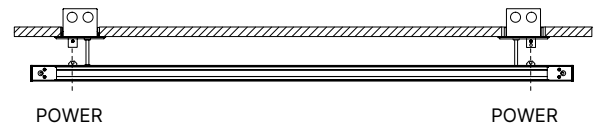
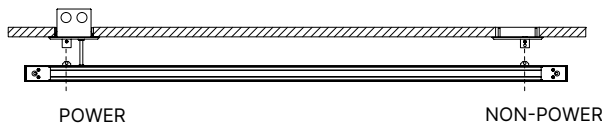
- Feed the Power Cable from the fixture through the Backplate Assembly and make the DC wire connections. Refer to the wiring diagram.



- Secure the Backplate Assembly to the electrical box while feeding the power cable through the Backplate. Engage both projection arms with the brackets located on the fixture and secure with provided screws.



- Depending on your fixture specifications, there may be the need for (2) electrical boxes. Follow Step 2-3 for each mounting location if needed. Connect power to the Driver Box.



Care Instructions:

Wipe with a soft cloth only. Always avoid using harsh chemicals and/or cleaners.

Wiring Diagram

Driver

