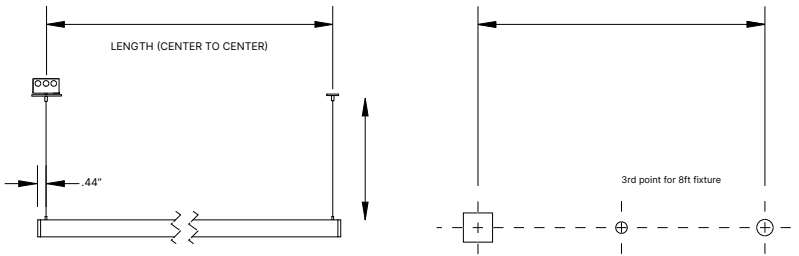


Pendant

What to Know

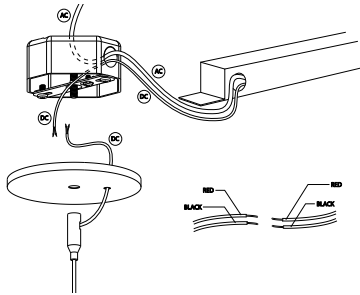
Risk of fire and electrical shock. Installation requires knowledge of electrical systems and should be installed by a qualified electrician. If not qualified, **DO NOT ATTEMPT INSTALLATION.**

- 1 Mark hole locations on the installation surface matching locations of the mounting hardware. Adjust cables to desired length and cut if needed.

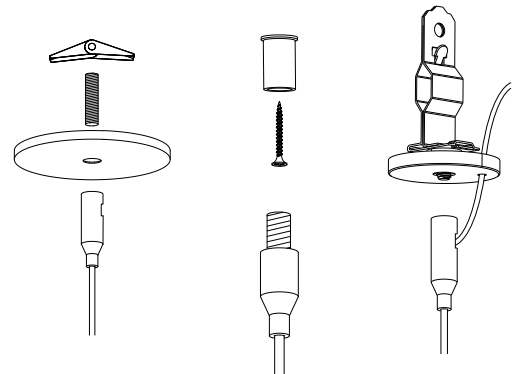


Suspension Distance (Center to Center)	
Fixture Length (Nominal)	Hole Distance
1220mm (4'), 2 points	1204mm (47.4")
1830mm (6'), 2 points	1813.5mm (71.4")
2440mm (8'), 3 points	2423mm (95.4") 1211.5mm (47.7")

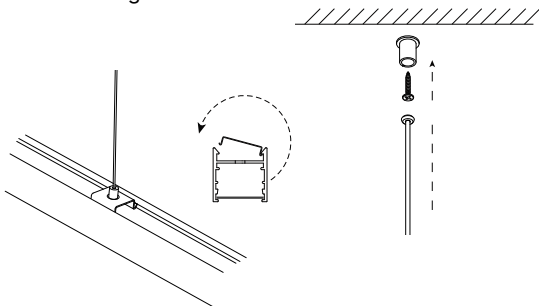
- 2 Locate and install the remote driver. Feed the AC and DC cables to the Junction box. Feed the fixture cables through the Ceiling Gripper/Canopy and connect to the driver box. If your fixture has an Indirect light source, chose the correct driver for each power cord. Secure canopy. Refer to the wiring diagram. Secure canopy. Refer to the wiring diagram.



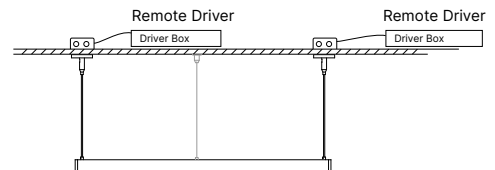
- 3 Fasten the fixture's non-power cable to the mounting surface using hardware rated for your application.



- 4 For 8ft fixtures, snap center suspension bracket into top channel. Screw coupler into ceiling and adjust cable to length.



- 5 Final Installation



Care Instructions:

Wipe with a soft cloth only. Always avoid using harsh chemicals and/or cleaners.

Continuous Run Pendant

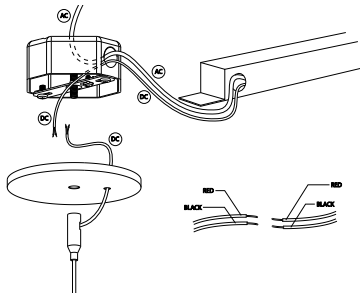
What to Know

Risk of fire and electrical shock. Installation requires knowledge of electrical systems and should be installed by a qualified electrician. If not qualified, **DO NOT ATTEMPT INSTALLATION.**

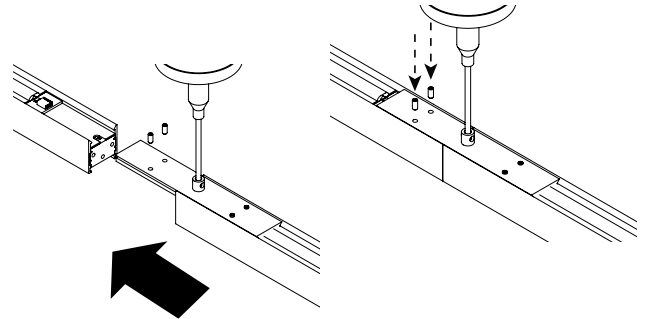
- 1 Mark hole locations on the installation surface matching locations of the mounting hardware. Adjust cables to desired length and cut if needed. The END OF RUN (EOR) housing has (2) mounting points. This fixture should be installed first for the easiest installation process.



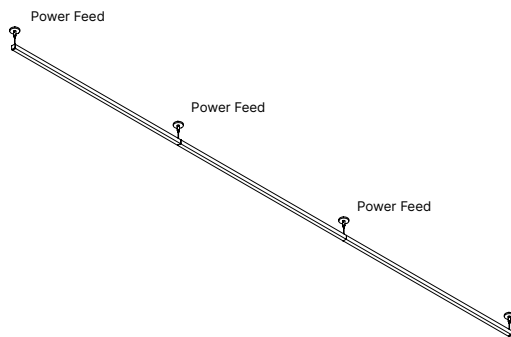
- 2 Raise the "EOR" fixture to the ceiling and secure with the cable kit. The open end of the fixture will be connected to power. Refer to the Wiring Diagram.



- 3 Fasten the MIDDLE OF RUN (MOR) fixture to the EOR fixture by engaging it into the Joiner Bracket. Lightly engage (1) Set Screw if needed. Secure the Power End of the fixture to the ceiling (Ref Step 2). Tighten the Set Screws in the joiner.



- 4 Repeat previous steps depending on the number of fixtures in your assembly.



- 5 Install the remote drivers as needed for your specific fixture assembly and installation space. Refer to the Wiring Diagram.

Care Instructions:

Wipe with a soft cloth only. Always avoid using harsh chemicals and/or cleaners.

Wiring Diagram

Driver

