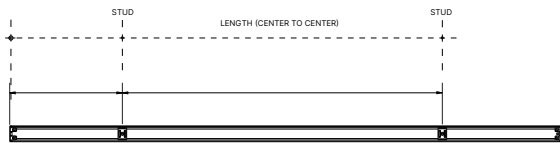


Surface Mount

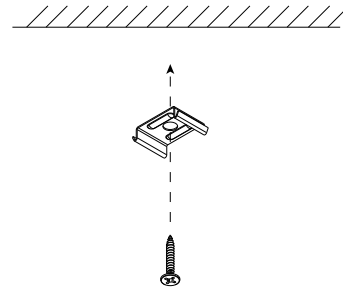
What to Know

Risk of fire and electrical shock. Installation requires knowledge of electrical systems and should be installed by a qualified electrician. If not qualified, **DO NOT ATTEMPT INSTALLATION.**

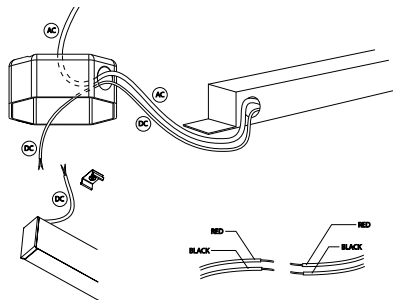
- 1 Mounting clips are adjustable. Locate a secured stud when possible for each bracket and mark the locations.



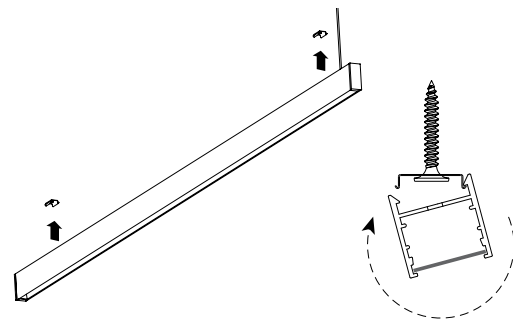
- 2 Secure the mounting clips to the mounting surface with the appropriate hardware.



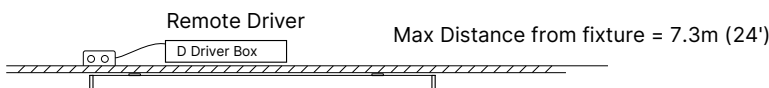
- 3 Install the remote driver Box. Raise the fixture to the mounting surface and connect the wires to an approved power source or Driver Box. Refer to the wiring diagram.



- 4 Raise the fixture and engage the mounting clips. The fixture will click when properly seated.



- 5 Final Installation



Care Instructions:

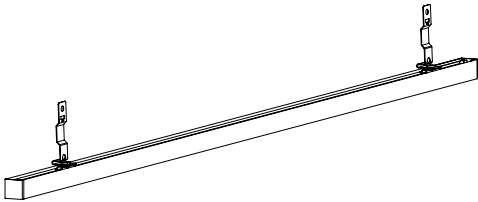
Wipe with a soft cloth only. Always avoid using harsh chemicals and/or cleaners.

Surface Mount TBar

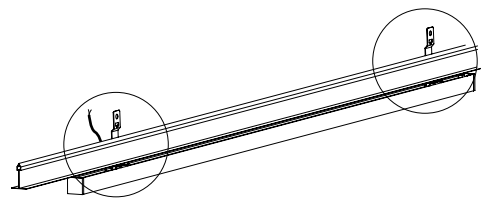
What to Know

Risk of fire and electrical shock. Installation requires knowledge of electrical systems and should be installed by a qualified electrician. If not qualified, **DO NOT ATTEMPT INSTALLATION.**

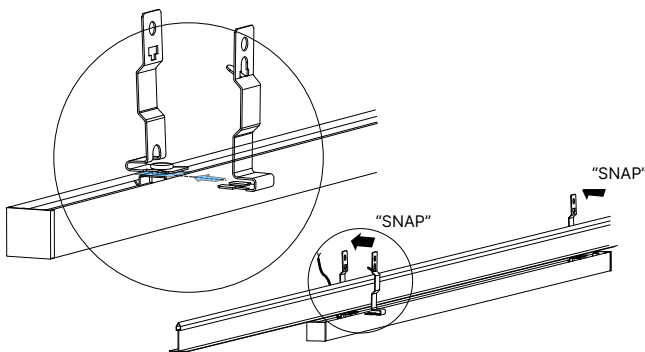
- 1 The fixture comes fully assembled with TBar clips for your grid ceiling framework, if specified.



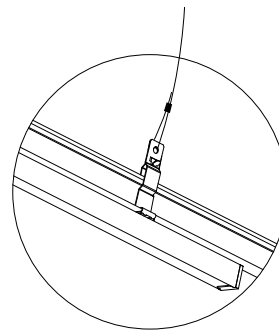
- 2 Bring fixture up to the desired location on the TBar. Allow wires to pass through framework.



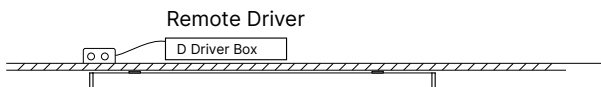
- 3 Engage the TBar clips by inserting the loose clip below the clip base that is mounted to the fixture. The clips will SNAP when fully engaged.



- 4 Secure the fixture to an appropriate structural support beam or hanger.



- 5 Locate and install the remote driver. Connect the fixtures DC cables to the Driver box. Connect AC power to the driver. Refer to the wiring diagram.



Care Instructions:

Wipe with a soft cloth only. Always avoid using harsh chemicals and/or cleaners.

Wiring Diagram

Driver

