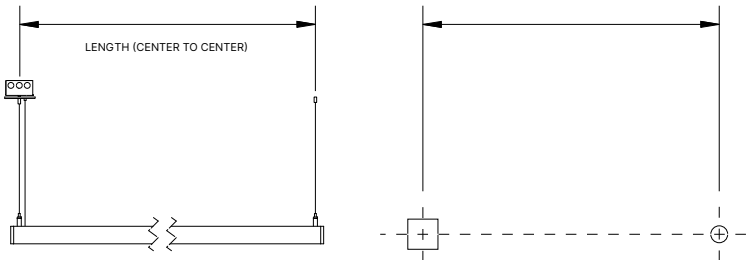


Pendant

What to Know

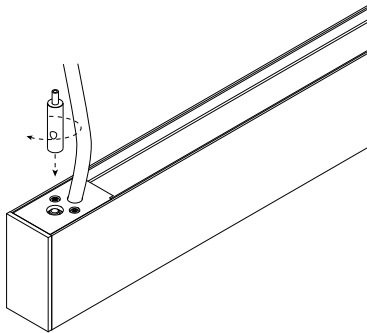
Risk of fire and electrical shock. Installation requires knowledge of electrical systems and should be installed by a qualified electrician. If not qualified, **DO NOT ATTEMPT INSTALLATION.**

- 1 Mark hole locations on the installation surface matching locations of the mounting hardware. Adjust cables to desired length and cut if needed.

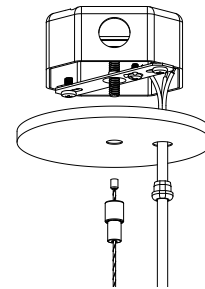


Suspension Distance (Center to Center)	
Fixture Length (Nominal)	Hole Distance
1220mm (4'), 2 points	1166mm
1830mm (6') 2 points	1770mm
2440mm (8'), 2 points	2375mm

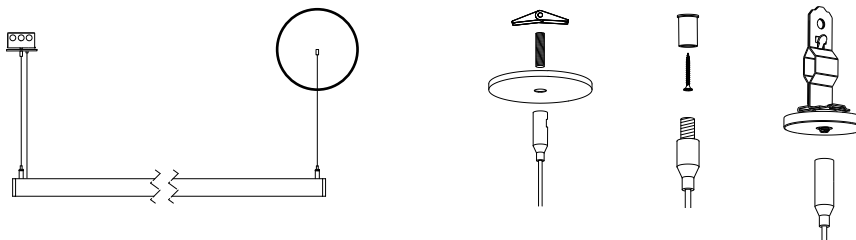
- 2 Fasten the Aircraft Grippers to the fixture.



- 3 Attach the Aircraft cable to the Grippers. Feed the AC and Aircraft cables through the canopy and connect to the Junction box. Refer to the wiring diagram.



- 4 Fasten the non-power end of the fixture to the mounting surface using the hardware rated for your application.



Care Instructions:

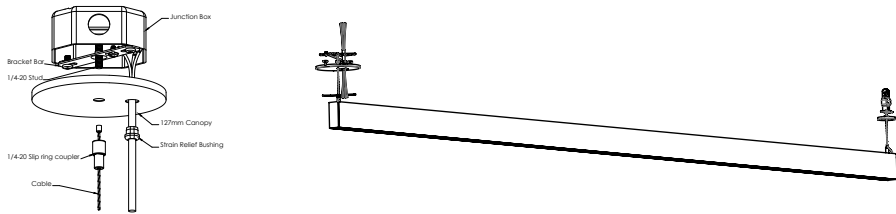
Wipe with a soft cloth only. Always avoid using harsh chemicals and/or cleaners.

Continuous Run Pendant

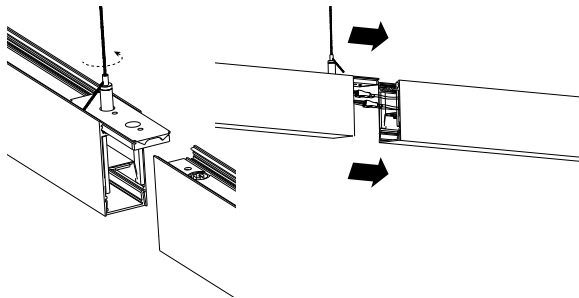
What to Know

Risk of fire and electrical shock. Installation requires knowledge of electrical systems and should be installed by a qualified electrician. If not qualified, **DO NOT ATTEMPT INSTALLATION.**

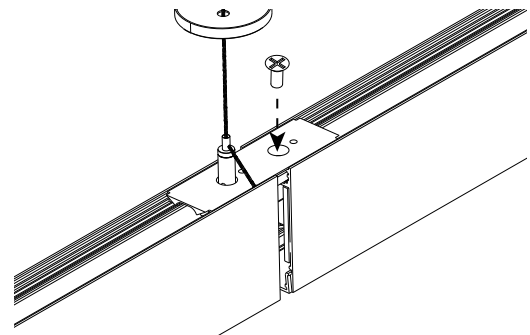
- 1 Raise powered end fixture (with joiner) to jbox and secure to mounting surface.
Do not fully tighten the cable gripper at the joiner (open end).



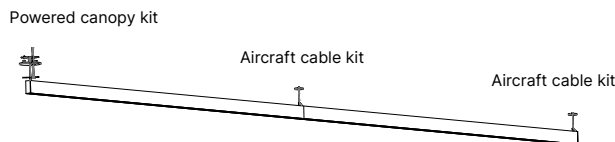
- 2 Raise the non-powered fixture to the ceiling and secure with aircraft cable kit. Join internal quick connects and fit inside fixture as you slide the fixtures together using the joiner bracket.



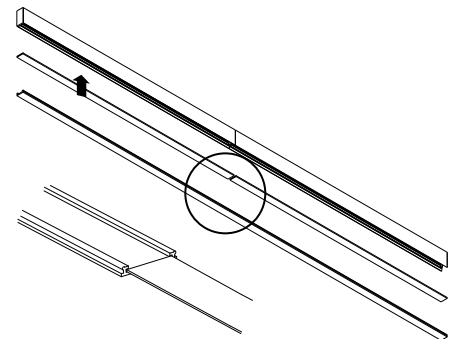
- 3 Tighten the cable gripper and screw to the fixture bodies. Foam inserts are in place to reduce light leak.



- 4 Fully assembled fixture



- 5 Snap the lens(es) into fixture body.



Care Instructions:

Wipe with a soft cloth only. Always avoid using harsh chemicals and/or cleaners.

Wiring Diagram

AC Power
0-10V Dimming

