

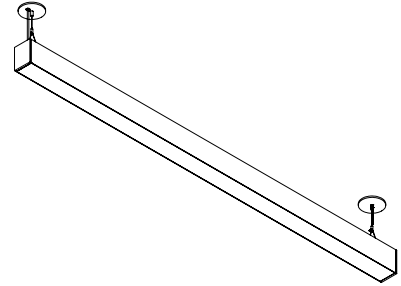
LUMAERA MaxBM51 Pendant

MABM51-P

Pendant

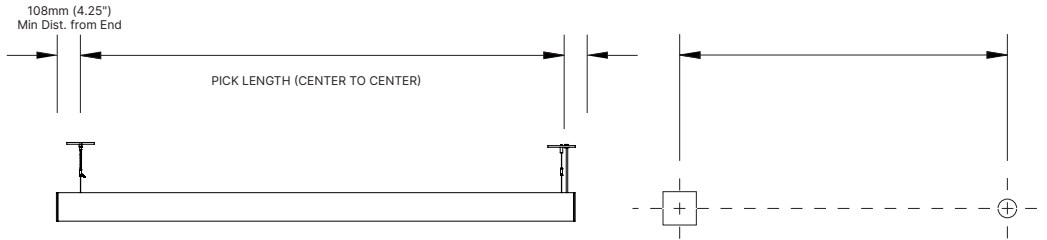
What to Know

Risk of fire and electrical shock. Installation requires knowledge of electrical systems and should be installed by a qualified electrician. If not qualified, **DO NOT ATTEMPT INSTALLATION.**



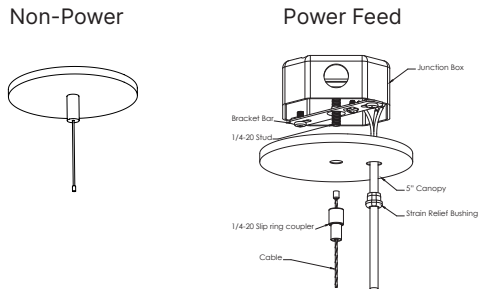
1

Mark hole locations on the installation surface, matching locations for the mounting hardware.



2

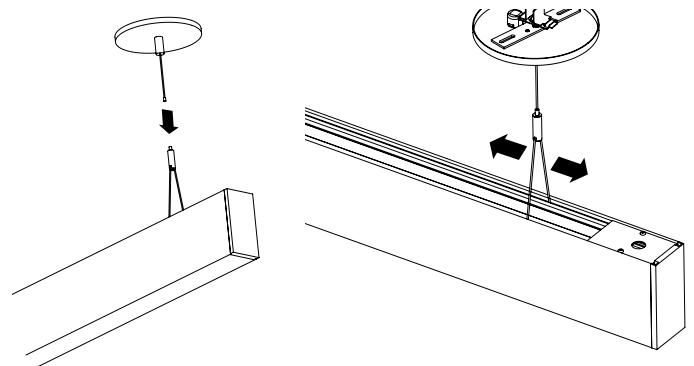
Secure the Non-Power Canopy Assemblies to the ceiling with the aircraft cable hanging freely. Wire the Power Feed End to the Jbox and secure the Canopy to the Jbox or Power Source. See wiring detail.



Check that power is OFF at the breaker.

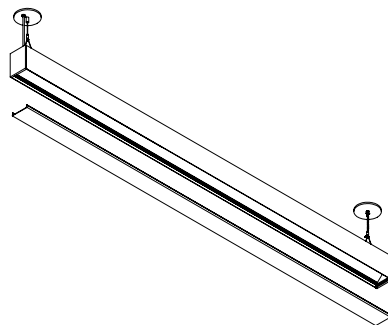
3

Feed the Aircraft Cable through the gripper at each end of the fixture. The mounting cables can travel along the top of the fixture for install placement.



4

If the lens was removed during installation, replace the lens by snapping it back into the fixture. Restore Power.



Care Instructions:

Wipe with a soft cloth only. Always avoid using harsh chemicals and/or cleaners.

LUMAERA MaxBM51 Pendant

MABM51-P

Wiring Diagram

AC Power
0-10V Dimming

